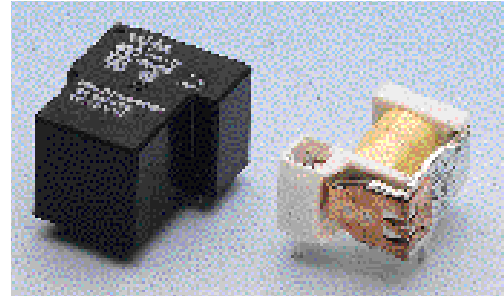
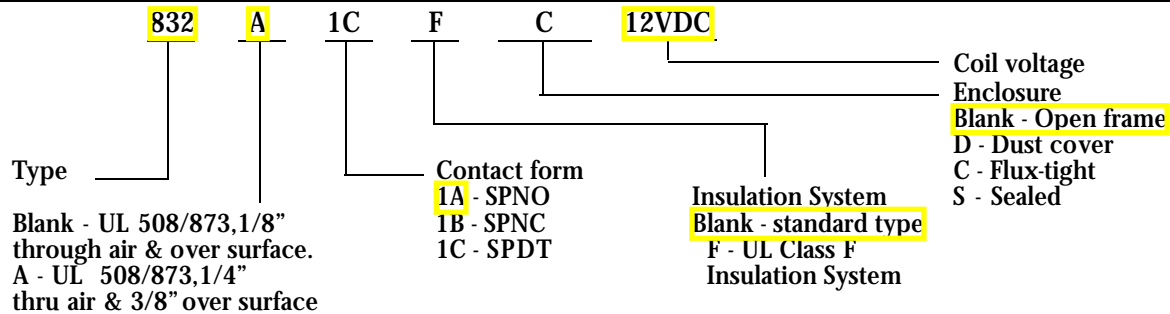


## FEATURES

- Miniature, 20-30 amps
- UL, CSA & VDE
- UL Class F Insulation System optional
- UL 508/ UL873 spacing, 1/4" through air and 3/8" over surface
- Special 1.9 mm contact gap optional - SPNO
- Open-frame, dust cover, flux-tight or sealed



## ORDERING INFORMATION



## SAFETY APPROVAL

Certified	UL	CSA	VDE
File No.	E88991	LR90143	6615üG

## SAFETY APPROVAL RATING (UL, CSA, VDE)

	1A	1B	NO	1C	NC	1A	1C
	30A 277VAC 20A 30VDC 2 HP, 250VAC 1 HP, 125VAC TV-5	15A 277VAC 15A 30VDC 1/2 HP, 250VAC 1/4 HP, 125VAC	30A 250VAC 20A 30VDC 2 HP, 250VAC 1 HP, 125VAC TV-5		30A 250VAC 10A 30VDC 1/2 HP, 250VAC 1/4 HP, 125VAC 20A 277VAC Ballast	30A 250~(AC)	20A 250~(AC)

## 832A - BARRIER MODEL AVAILABLE TO MEET IEC 950

## COIL DATA (DC)

Rated voltage (V)	Rated current ± 10 % at 25° (mA)	Coil resistance ± 10 % at 25° (Ω)	Max. continuous voltage 25°C	Pick up voltage (Max) 25°C	Drop out voltage (Min) 25°C	Power consumption at rated voltage
5	185	27	110% of rated voltage	75% of rated voltage	10% of rated voltage	approx. 0.93W
6	150	40				
9	93	97				
<b>12</b>	<b>77</b>	<b>155</b>				
24	36	660				
48	18	2560				
110	8	13450				

## SPECIFICATION

Contact resistance	50mΩ Max.(initial value)	
Operate time	15ms Max.	
Release time	10ms Max.	
Insulation resistance	100M Ω Min.(DC 500V)	
Dielectric strength	Between open contact	1500V ms,50/60Hz 1 min.
	Between contact and coil	832: 1500Vrms 50/60Hz 1 min. 832A: 2500Vrms 50/60Hz 1 min.
		832A High dielectric strength type: 4000Vrms 50/60Hz 1 min.
Vibration resistance	Operating extremes	10~50Hz,amplitude 1.5mm
	Damage limits	>10~50Hz,amplitude 1.5mm
Shock resistance	Operating extremes	>10G
	Damage limits	>20G
Life expectancy	Mechanical	>10,000,000 operations (frequency 18,000 operations/hr)
	Electrical	>100,000 operations (frequency 1,200 operations/hr)
Operating temperature	-55° ~ 85° C (no freezing)	
Weight	Approx.22g (open type),27g (with cover)	

832A Series Special Specification: SPNO (1.9mm Contact Gap)  
Contact Song Chuan U.S.A. for Unique Specifications

## IEC 255, VDE0435 SAFETY APPROVAL

Certified	TUV	
File No.	R9754124	

## SAFETY APPROVAL RATING

	TUV	
	20A 277V~(AC)	

## 832/832A OUTLINE DIMENSIONS

